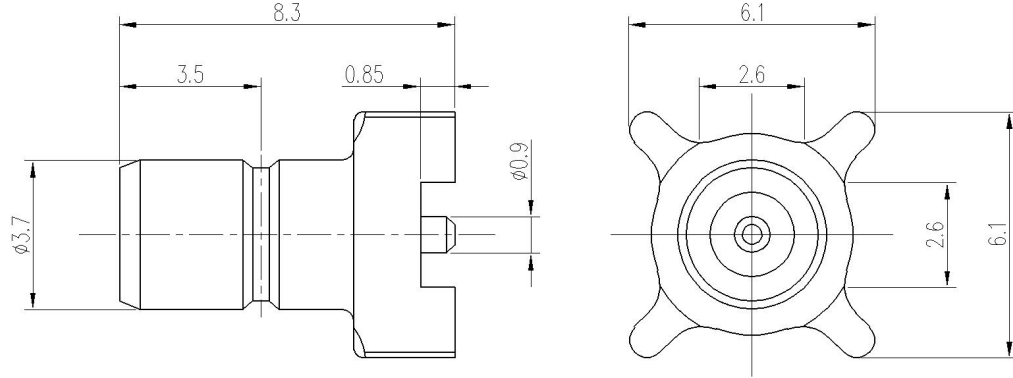


RevNo	Revision note	Date	Signature	Checked
V1.0	Sketch only			





**材料与电镀**  
**Materials&Electroplating**

内导体 Conduct	黄铜/镀金 BRASS/Gold Plating
介质 Insulator	聚四氟乙烯 PTFE
外壳 Body	黄铜/镀金 BRASS/Gold Plating
其他零件 Other Parts	黄铜/镀金 BRASS/Gold Plating

**电气性能**  
**Electric Performance**

阻抗 Impedance	50 欧姆 OHMS
频率范围 Frequency Range	0-3GHz
驻波比 VSWR	$\leq 1.3$
额定电压 Rating Voltage	500V

Unless otherwise specified, tolerances as below: .x $\pm 0.15$ .xx $\pm 0.1$ .xxx $\pm 0.05$ Angle: $\pm 2^\circ$	Material:	See Notes	Weight	-	 <b>Lenor</b> 乐福士
	Finish:	See Notes	Scale	-	
	Unit	mm	Page	01	
	REV.	V1.0	DWG No	-	
Drawn	Date:	Projection		P/N 料号	60-5161-011-02
Checked	Date:	Title:		Cust P/N.	
Approved	Date:	品名		SMB PLUG SOLDER FOR SMT	