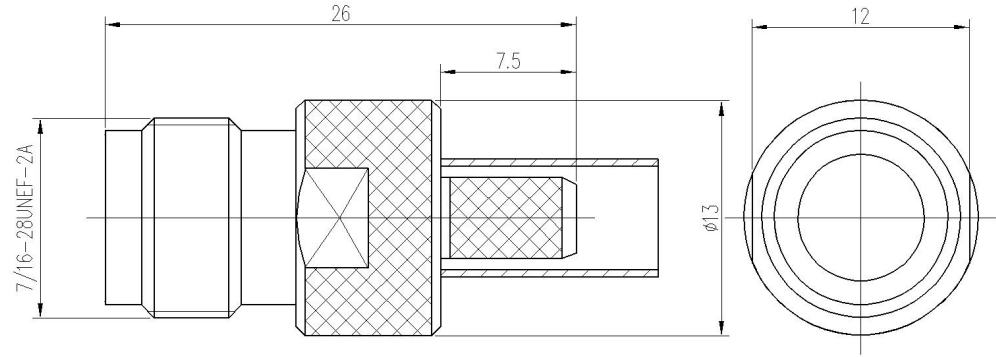


RevNo	Revision note	Date	Signature	Checked
V1.0	Sketch only			





材料与电镀
Materials&Electroplating

内导体 Conduct	锡磷青铜/镀金 Phosphor Bronze/Gold Plating
介质 Insulator	聚四氟乙烯 PTFE
外壳 Body	黄铜/镀镍 BRASS/Nickel Plating
其他零件 Other Parts	黄铜/镀镍 BRASS/Nickel Plating

电气性能
Electric Performance

阻抗 Impedance	50 欧姆 OHMS
频率范围 Frequency Range	0-3GHz
驻波比 VSWR	≤1.3
额定电压 Rating Voltage	800V

Unless otherwise specified, tolerances as below: .x ±0.15 .xx ±0.1 .xxx ±0.05 Angle: ±2°	Material:	See Notes	Weight	-	 Lenor 乐福士
	Finish:	See Notes	Scale	-	
	Unit	mm	Page	01	
	REV.	V1.0	DWG No	-	P/N 料号
Drawn	Date:	Projection		Cust P/N.	
Checked	Date:	Title: TNC JACK CRIMP FOR RG142 CABLE			
Approved	Date:	品名			