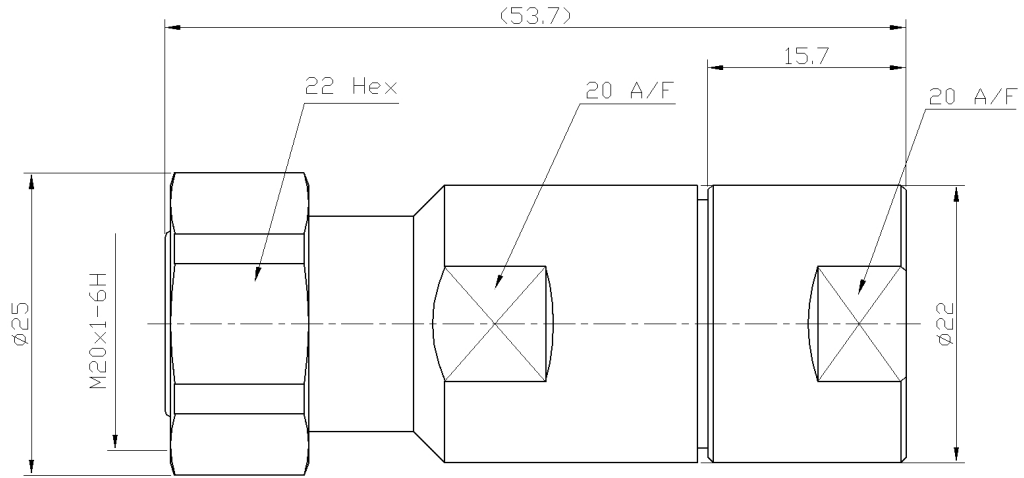




RevNo	Revision note	Date	Signature	Checked
V1.0	Sketch only			

RoHS Compliant.



<b>材料与电镀</b> <b>Materials&amp;Electroplating</b>	
内导体 Conduct	黄铜/镀银 Brass/ Silver Plating
介质 Insulator	聚四氟乙烯 PTFE
外壳 Body	黄铜镀三元合金 Brass /Ternary
其他零件 Other Parts	黄铜镀镍 Brass/ Nickel Plating
<b>电气性能</b> <b>Electric Performance</b>	
阻抗 Impedance	50 欧姆 50 OHMS
频率范围 Frequency Range	0-3GHz
驻波比 VSWR	≤1.30
额定电压 Rating Voltage	500V

Unless otherwise specified, tolerances as below: .x ±0.15 .xx ±0.1 .xxx ±0.05 Angle: ±2°	Material:	See Notes	Weight	-	 <b>Lenor 乐福士</b>
	Finish:	See Notes	Scale	-	
	Unit	mm	Page	01	
	REV.	V1.0	DWG No	-	
Drawn	Date:	Projection		P/N 料号	70-5161-246-01
Checked	Date:	Title:		Cust P/N.	
Approved	Date:	品名		4.3/10 PLUG CLAMP FOR 1/2R CABLE	