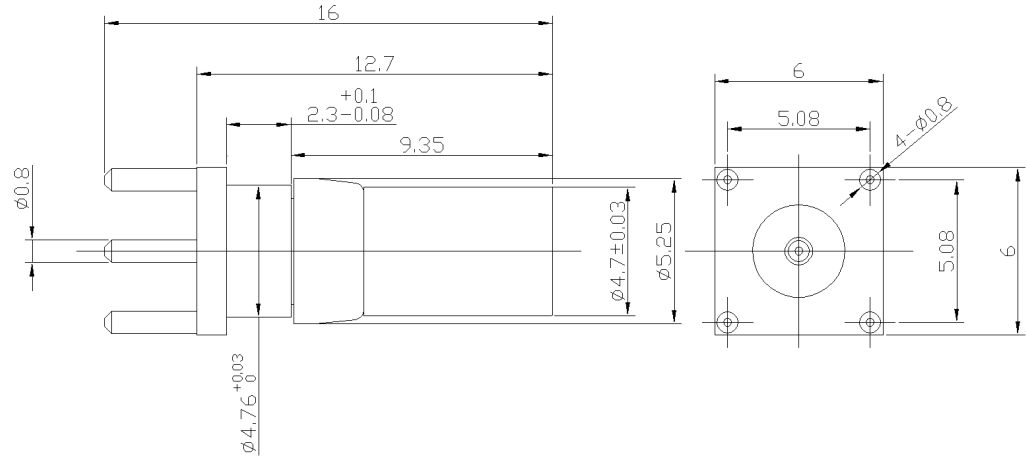




RevNo	Revision note	Date	Signature	Checked
V1.0	Sketch only			



<b>材料与电镀</b> Materials&Electroplating	
内导体 Conduct	黄铜镀金 Brass / Gold Plating
介质 Insulator	聚四氟乙烯 PTFE
外壳 Body	黄铜镀金 Brass / Gold Plating
其他零件 Other Parts	黄铜镀金 Brass / Gold Plating
<b>电气性能</b> Electric Performance	
阻抗 Impedance	50 欧姆 50 OHMS
频率范围 Frequency Range	0-2GHz
驻波比 VSWR	≤1.25
额定电压 Rating Voltage	250V

Unless otherwise specified, tolerances as below: .x ±0.15 .xx ±0.1 .xxx ±0.05 Angle: ±2°	Material:	See Notes	Weight	-	 <b>Lenor 乐福士</b>
	Finish:	See Notes	Scale	-	
	Unit	mm	Page	01	
	REV.	V1.0	DWG No	-	P/N 料号
Drawn	Date:	Projection		Cust P/N.	
Checked	Date:	Title: <b>DIN 41612 PLUG FOR PCB MOUNT</b>			
Approved	Date:	品名			