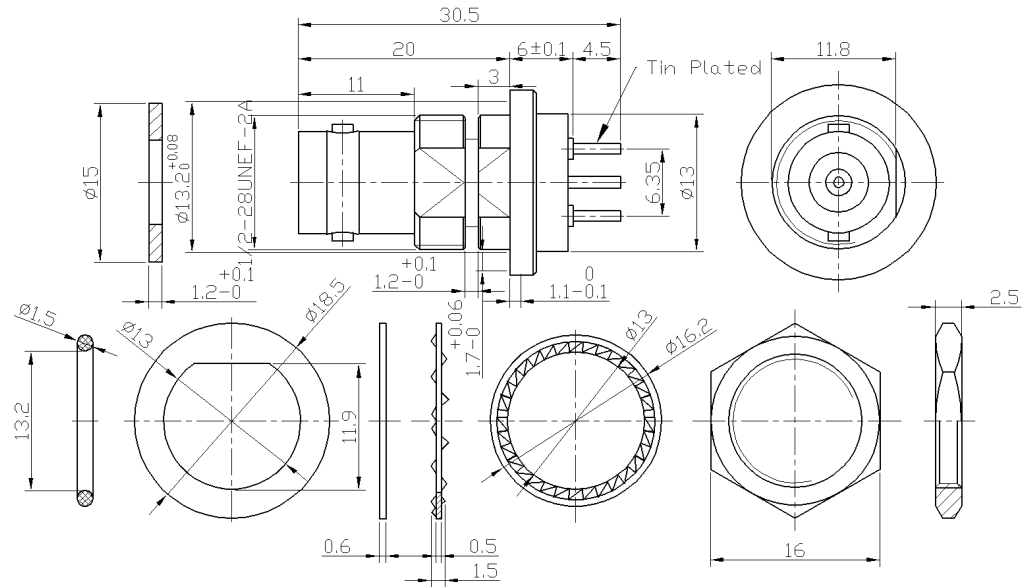


RevNo	Revision note	Date	Signature	Checked
V1.0	Sketch only			


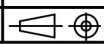


**材料与电镀**  
**Materials&Electroplating**

内导体 Conduct	锡磷青铜镀金 Phosphor Bronze/ Gold Plating
介质 Insulator	聚四氟乙烯 PTFE
外壳 Body	黄铜镀镍 Brass/ Nickel Plating
其他零件 Other Parts	黄铜镀镍 Brass/ Nickel Plating

**电气性能**  
**Electric Performance**

阻抗 Impedance	50 欧姆 50 OHMS
频率范围 Frequency Range	0-3GHz
驻波比 VSWR	$\leq 1.25$
额定电压 Rating Voltage	500V

Unless otherwise specified, tolerances as below: .x $\pm 0.15$ .xx $\pm 0.1$ .xxx $\pm 0.05$ Angle: $\pm 2^\circ$	Material:	See Notes	Weight	-	 <b>Lenor 乐福士</b>
	Finish:	See Notes	Scale	-	
	Unit	mm	Page	01	
	REV.	V1.0	DWG No	-	
Drawn	Date:	Projection		P/N 料号	82-5061-011-03
Checked	Date:	Title: BNC JACK BHD PCB MOUNT			
Approved	Date:	品名			