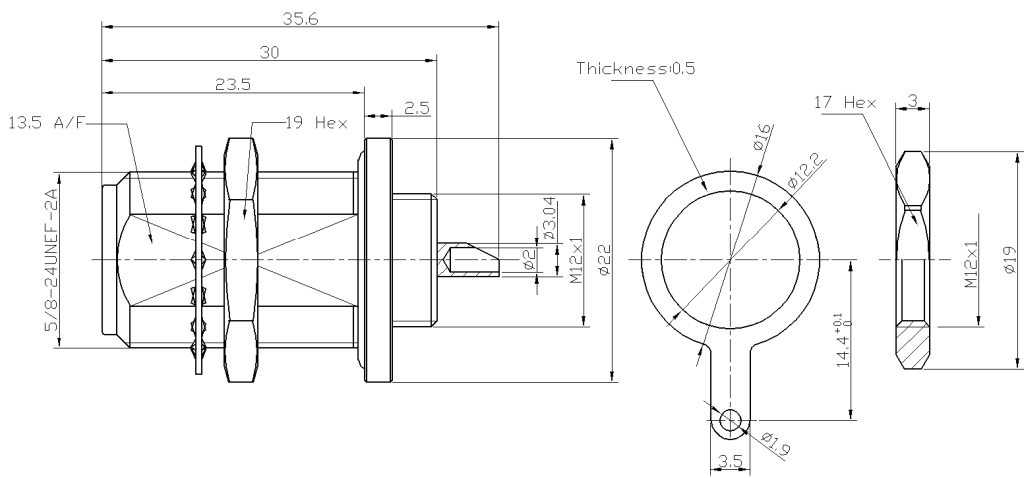




RevNo	Revision note	Date	Signature	Checked
V1.0	Sketch only			



材料与电镀 Materials&Electroplating	
内导体 Conduct	锡磷青铜/镀金 Phosphor Bronze/Gold Plating
介质 Insulator	聚四氟乙烯 PTFE
外壳 Body	黄铜/镀镍 Brass/Nickel Plating
其他零件 Other Parts	黄铜/镀镍 Brass/Nickel Plating
电气性能 Electric Performance	
阻抗 Impedance	50 欧姆 50 Ohms
频率范围 Frequency Range	0~3Ghz
驻波比 VSWR	1.2
额定电压 Rating Voltage	500VAC

Unless otherwise specified, tolerances as below: .x ±0.15 .xx ±0.1 .xxx ±0.05 Angle: ±2°	Material:	See Notes	Weight	-	 Lenor 乐福士	
	Finish:	See Notes	Scale	-		
	Unit	mm	Page	01		
	REV.	V1.0	DWG No	-		
Drawn		Date:	Projection		P/N 料号	87-5061-031-01
Checked		Date:	Title:		Cust P/N.	
Approved		Date:	品名	N JACK BHD MOUNT RECEPTACLE		