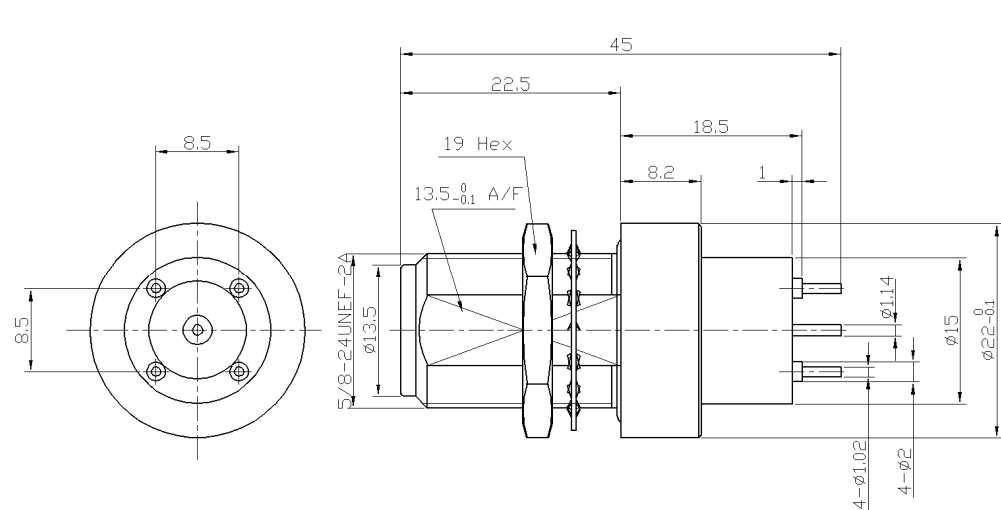




RevNo	Revision note	Date	Signature	Checked	RoHS Compliant.
V1.0	Sketch only				



<b>材料与电镀</b> Materials&Electroplating	
内导体 Conduct	锡磷青铜/镀金 Phosphor Bronze/Gold Plating
介质 Insulator	聚四氟乙烯 PTFE
外壳 Body	黄铜/镀镍 Brass/Nickel Plating
其他零件 Other Parts	黄铜/镀镍 Brass/Nickel Plating
<b>电气性能</b> Electric Performance	
阻抗 Impedance	50 欧姆 50 Ohms
频率范围 Frequency Range	0~3Ghz
驻波比 VSWR	1.2
额定电压 Rating Voltage	500VAC

Unless otherwise specified, tolerances as below: .x ±0.15 .xx ±0.1 .xxx ±0.05 Angle: ±2°	Material:	See Notes	Weight	-	 <b>Lenor RF 乐福士</b>	
	Finish:	See Notes	Scale	-		
	Unit	mm	Page	01		
	REV.	V1.0	DWG No	-		
Drawn		Date:	Projection		P/N 料号	87-5061-031-02
Checked		Date:	Title:		Cust P/N.	
Approved		Date:	品名	N JACK BHD PCB MOUNT RECEPTACLE		