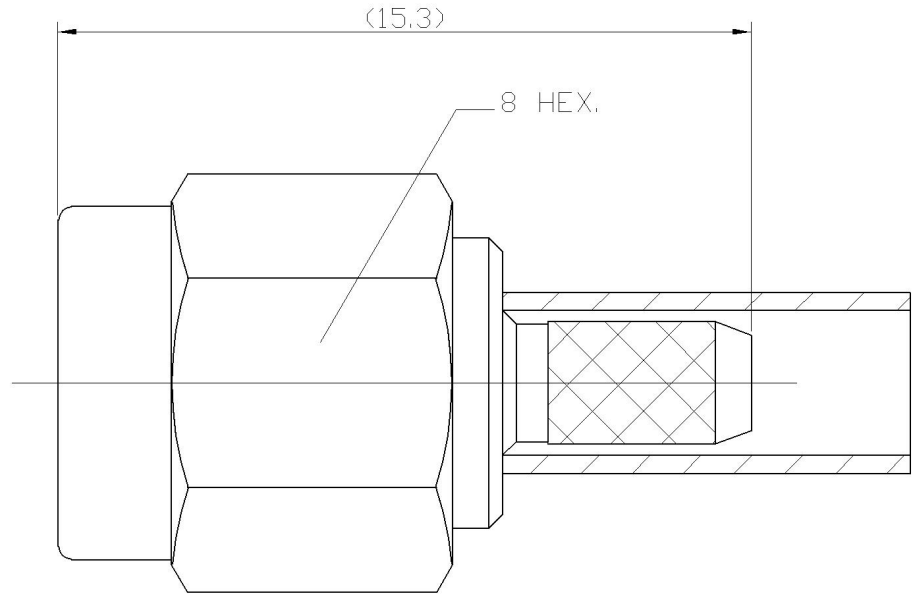


RevNo	Revision note	Date	Signature	Checked
V1.0	Sketch only			





材料与电镀
Materials&Electroplating

内导体 Conduct	黄铜/镀金 Brass/Gold Plating
介质 Insulator	聚四氟乙烯 PTFE
外壳 Body	黄铜/镀镍 Brass/Nickel Plating
其他零件 Other Parts	黄铜/镀镍 Brass/Nickel Plating

电气性能
Electric Performance

阻抗 Impedance	50 欧姆 50 OHMS
频率范围 Frequency Range	0-3GHz
驻波比 VSWR	1.2
额定电压 Rating Voltage	335VAC

Unless otherwise specified,
tolerances as below:
.x ±0.15
.xx ±0.1
.xxx ±0.05
Angle: ±2°

Material:	See Notes	Weight	-	 Lenor 乐福士	
Finish:	See Notes	Scale	-		
Unit	mm	Page	01		
REV.	V1.0	DWG No	-		
Drawn	Date:	Projection		P/N 料号	89-5161-115-01
Checked	Date:	Title:			
Approved	Date:	品名			SMA PLUG CRIMP FOR RG316 CABLE

4
3
2
1

4
3
2
1

A B C D E F